

LILLIPUT®

7" FPV Monitor with Dual 5.8GHz 4 Bands Wireless Receivers



329/DW | **329/W**
(with dual 5.8GHz receivers) | (with single 5.8GHz receiver)



FEATURES

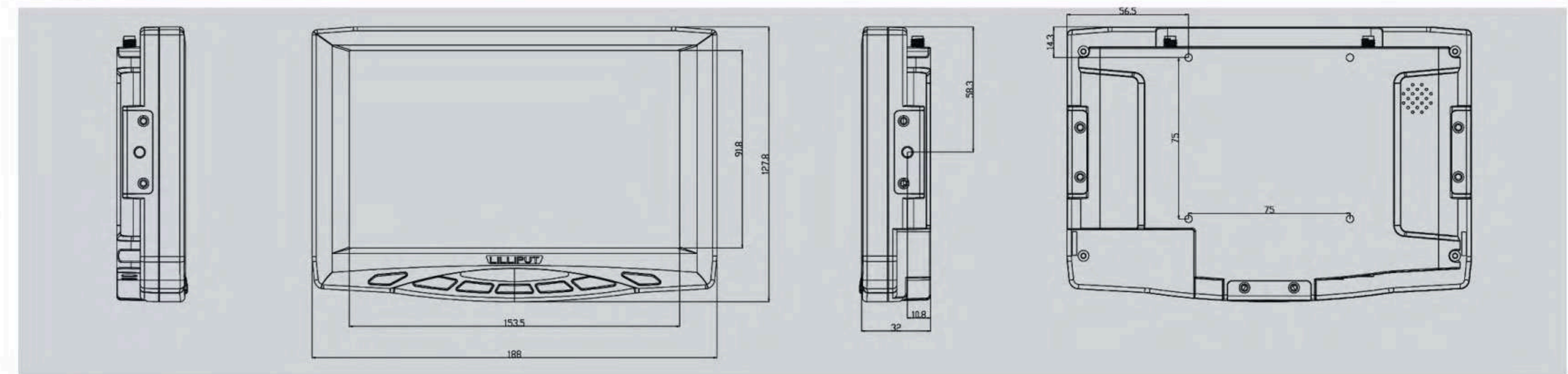
- › 4 Bands and total 31 channels
- › Built-in dual 5.8GHz receivers
- › Auto antenna switching to get best signal
- › High brightness: 400cd/m²
- › Snow screen, no more "blue" screen
- › 75mm VESA standard mount

Specific Monitor by LILLIPUT for Flying Camera System.
Application for Aerial & Outdoor Photography.
Strongly recommend for aerial enthusiast & professional photographer.

APEARANCE



OUTLINE DIMENSION



WIRELESS RECEIVER

31-Channel Parameters (MHz)

CH1 5705	CH2 5685	CH3 5665	CH4 5645	CH5 5885	CH6 5905	CH7 5925	CH8 5945
CH9 5865	CH10 5845	CH11 5825	CH12 5805	CH13 5785	CH14 5765	CH15 5745	CH16 5725
CH17 5733	CH18 5752	CH19 5771	CH20 5790	CH21 5809	CH22 5828	CH23 5847	CH24 5866
CH25 5740	CH26 5760	CH27 5780	CH28 5800	CH29 5820	CH30 5840	CH31 5860	

SPECIFICATIONS / ACCESSORIES

DISPLAY	Panel	7" LED backlit	<ol style="list-style-type: none"> Sun shade 1 piece 12V DC adapter 1 piece AV input cable 1 piece AV output cable 1 piece VESA battery plate 1 piece Battery plate 2 Pieces Remote control 1 piece 5.8GHz wireless AV receiver 1 piece Manual 1 copy 5.8GHz wireless AV receiver (optional) 1 piece 5.8GHz omnidirectional antenna (optional) 1 piece Shoe mount (optional) 1 piece
	Physical Resolution	800 × 480	
	Aspect Ratio	16:9	
	Brightness	400cd/m ²	
	Contrast	500:1	
INPUT	Viewing Angle	140° / 120° (H/V)	
	Composite	1	
OUTPUT	Antenna Port	2 (for 329/DW only)	
	Composite	1	
AUDIO	Speaker	1	
	Current	450mA	
POWER	Input Voltage	DC 12V	
	Battery Plate	V-mount / Anton Bauer mount / F970 / QM91D / DU21 / LP-E6	
	Power Consumption	≤ 6W	
ENVIRONMENT	Operating Temperature	-20°C~60°C	
	Storage Temperature	-30°C~70°C	
OUTLINE DIMENSION	Dimension(LWD)	188 × 127.8 × 32 mm	
	Weight	415g	

